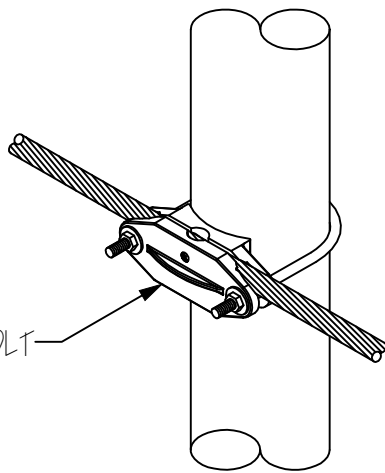
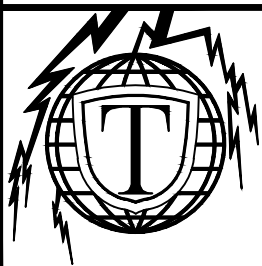
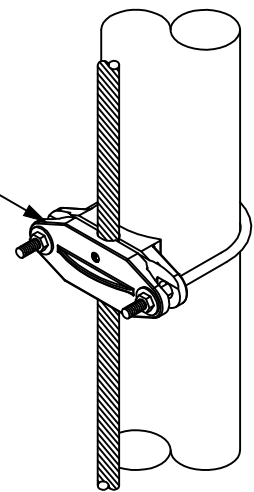


No.A805: Alum U-BOLT
BONDING CLAMP



No.A805: Alum U-BOLT
BONDING CLAMP



PROJECT:

THOMPSON LIGHTNING PROTECTION, INC.
901 SIBLEY HIGHWAY ST. PAUL, MN 55118-1792
MANUFACTURERS, CONTRACTORS & ENGINEERS

1-800-777-1230
(P): 651-455-7661
(F): 651-455-2545

REVISION		DATE
JOB NO:		FILE:
DR BY:	DATE: 8.24.11	
CH BY:	SHT	