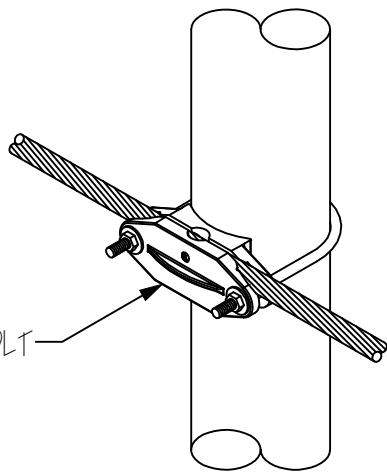
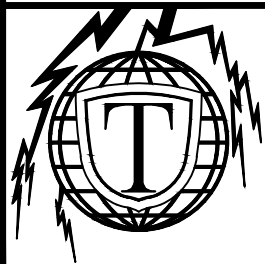
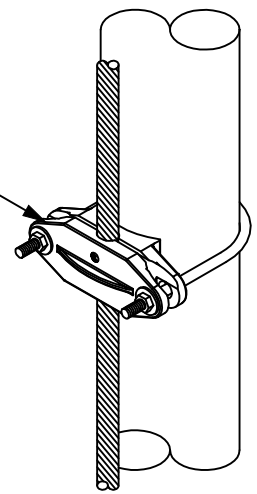


No.A803: Alum U-BOLT  
BONDING CLAMP



No.A803: Alum U-BOLT  
BONDING CLAMP



PROJECT:

THOMPSON LIGHTNING PROTECTION, INC.  
901 SIBLEY HIGHWAY ST. PAUL, MN 55118-1792  
MANUFACTURERS, CONTRACTORS & ENGINEERS

1-800-777-1230  
(P): 651-455-7661  
(F): 651-455-2545

REVISION

DATE

JOB NO:

FILE:

DR BY:

DATE: 8.24.11

CH BY:

SHH