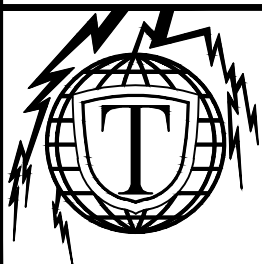
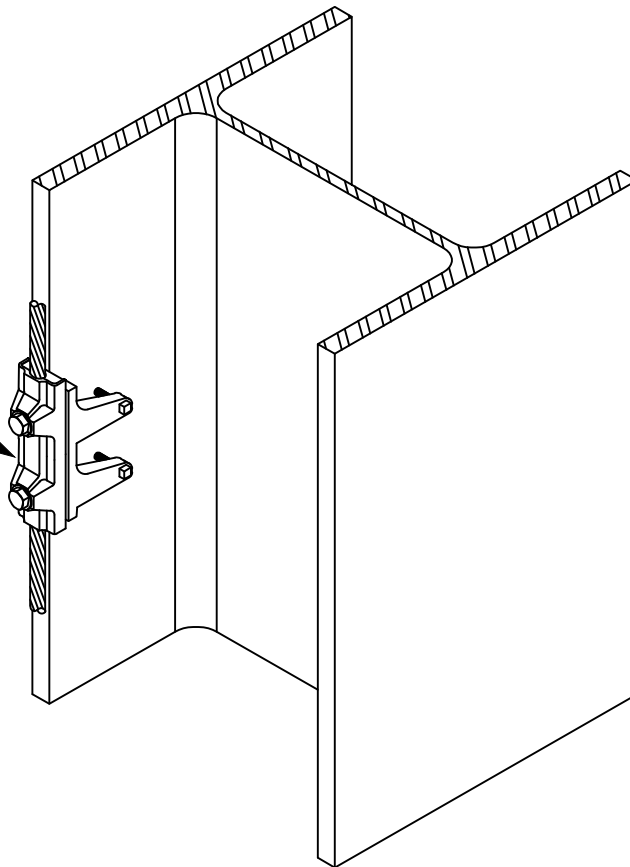


No. A701: CAST Alum  
BONDING CLAMP



PROJECT:

THOMPSON LIGHTNING PROTECTION, INC.  
901 SIBLEY HIGHWAY ST. PAUL, MN 55118-1792  
MANUFACTURERS, CONTRACTORS & ENGINEERS

1-800-777-1230  
(P): 651-455-7661  
(F): 651-455-2545

REVISION		DATE
JOB NO:		FILE:
DR BY:	DATE: 8.24.11	
CH BY:	SHH	